

**Expression of Interest:**

Water Chiller Baseframe

**Hunter Class Frigate Program**

**Including:**

- Scope of Work
- Required Supplier Capabilities
- Pre-Qualification Questionnaire
- Closing Date For Expression Of Interest

## Acronyms and Abbreviations

Acronym	Description
ABN	Australian Business Number
ANZSIC	Australian and New Zealand Standard Industrial Classification
COTS	Commercial Off The Shelf
EOI	Expression of Interest
HCFP	Hunter Class Frigate Program
ICN	Industry Capability Network
ISO	International Organisation for Standardisation
OEM	Original Equipment Manufacturer
T26	Type 26 Global Combat Ship
HVAC	Heating Ventilation and Air Conditioning

## Definitions List

Term	Definition

**Table of Contents**

1 PREFACE ..... 4

2 SCOPE OF WORK ..... 5

3 REQUIRED SUPPLIER CAPABILITIES ..... 6

4 PRE-QUALIFICATION QUESTIONNAIRE ..... 6

5 CLOSING DATE FOR EXPRESSION OF INTEREST ..... 7

## 1 PREFACE

**Johnson Controls Australia** as a main supplier to the Type 26 Global Combat Ship is seeking Expressions of Interest from Australian industry in order to deliver **Water Chillers** to BAE Systems Australia Limited and ASC Shipbuilding Pty Ltd for the Hunter Class Frigate Program.

Johnson Controls is the OEM of water chillers for a range of HVAC and process cooling requirements and is a global leader in the manufacture of specialised chillers for Navy applications.

The HCFP chillers will be based on the existing Type 26 chiller design with Australian engineering input to enable local fabrication and the use of COTS components available in Australia.

The **Water Chiller Baseframe** is used for mounting of components during chiller assembly and testing. The baseframe will be used during the assembly of multiple chiller units.

The purpose of the Pre-Qualification Questionnaire is to establish the feasibility of prospective industrial partners to provide the **Water Chiller Baseframe** to **Johnson Controls Australia** for the term of the proposed contract. The information you provide within your EOI will be used by the OEM to down select organisations to receive a formal Request for Proposal.

## 2 SCOPE OF WORK

The **Water Chiller Baseframe** is a build to print design however some collaboration with **Johnson Controls** may be required to maximise local industry content without adversely impacting cost.

The water chiller baseframe is an open structural rectangular frame fabricated from carbon steel beam sections and steel plate. The completed frame has overall dimensions of approximately 4900mm x 2100mm with an overall weight of approx. 1800kg.

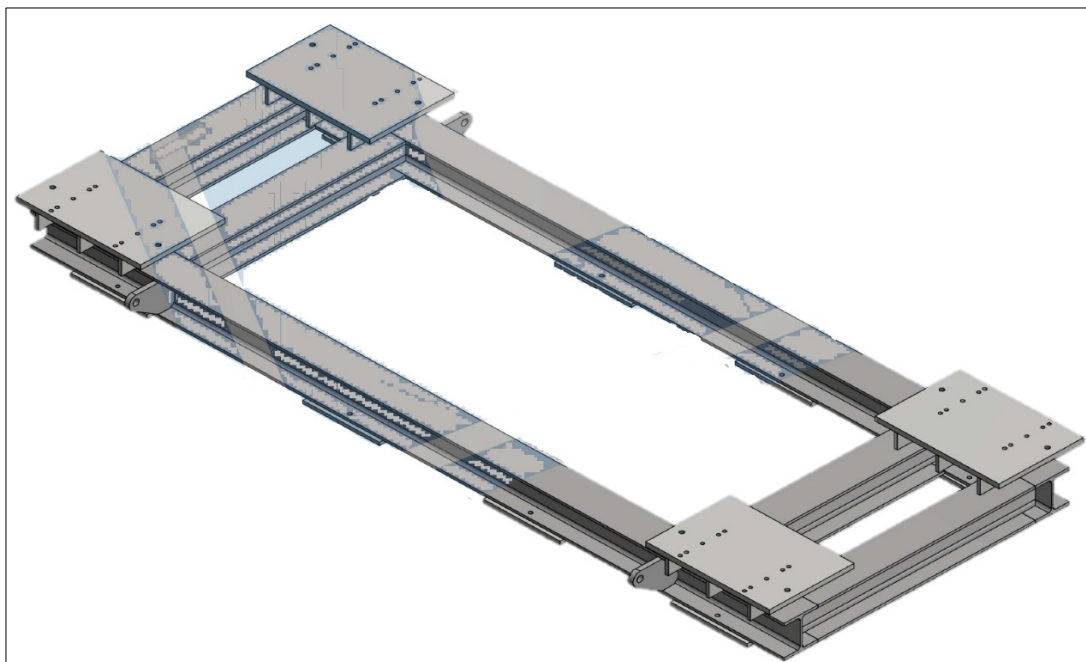
The baseframe is used during chiller assembly and testing and provides a consistent dimensional tolerance at the chiller mounting points. Drilled mounting brackets are welded to the top of the frame for connection to the chiller.

The frame fabrication also includes lifting lugs and bottom mounting pads welded to the main beams.

The successful contractor is required to complete all requirements in order to fully fabricate the baseframe including the following:

- Fabricate the steel frame
- Drilling of mounting locations to required dimensional tolerance
- Perform non-destructive testing of welds
- Perform dimensional checks
- Preparation and painting to project requirements
- Preparation for shipping and Submission of MDR documentation

**All welding shall comply to Australian structural standards**



### **3 REQUIRED SUPPLIER CAPABILITIES**

The successful supplier will demonstrate the following capabilities:

- ISO 9001:2015 Approved
- Manufacture, assembly, testing capabilities of build to print design
- Experience in the fabrication of equipment structural base frames
- Coded welding engineers
- Experience of painting to Marine requirement, internally or via sub-suppliers
- Documented material control and traceability procedures for in-house and sub-supplier manufacture

Previous experience with the supply of similar equipment for Navy or other Defence applications would be well regarded.

## 4 PRE-QUALIFICATION QUESTIONNAIRE

1. Provide full details of previous major defence, maritime or commercial projects in which your company has delivered fabricated equipment.
2. Do you have previous experience supplying fabricated structural sections?
3. What State/s do you have these capabilities in?
4. Have you worked on defence contracts before?
5. Provide details of the company's management organisation structure.
6. Are you an Australian-owned company?
7. Are you an Indigenous company?
8. Please provide the number of Indigenous/Aboriginal/Torres Islander employees your organisation has? (Stipulate Full Time and Part Time)
9. State acquired company certification and accreditations.
10. Stipulate any further competitive discriminators that have not been identified in the answers to previous questions.
11. Have you updated your ICN company profile with your trading name, contact details, website, ABN, number of employees, annual turnover, export details (if applicable) and ANZSIC codes? This information will be used in assessing this EOI.
12. Do you have quality system accreditation under ISO 9001:2015?

## **5 CLOSING DATE FOR EXPRESSION OF INTEREST**

5.00pm (Australian Eastern Standard Time) on 31<sup>st</sup> July 2020